

# Turbine Series - 791000MAV-MAVM

# FUEL

## Specifications:

**Height:** MAV - 21.32" (54.15 cm)  
 MAVM - 20.9" (53.1 cm)

**Width:** 21.5" (54.6 cm) with Bracket

**Depth:** 11.7" (29.7 cm) with Bracket

**Weight:** MAV - 52.0 lbs (22.2 kg)  
 MAVM - 55.0 lbs (24.0 kg)

**Ports:** 3/4"-14 NPT

**Service Clearance (Top):** 10.0" (25.4 cm)

**Vacuum Installation Recommended**

**Maximum Pressure:** 15 psi (1.03 bar)

**Max Flow Rate:** 540 gph (2044 lph)

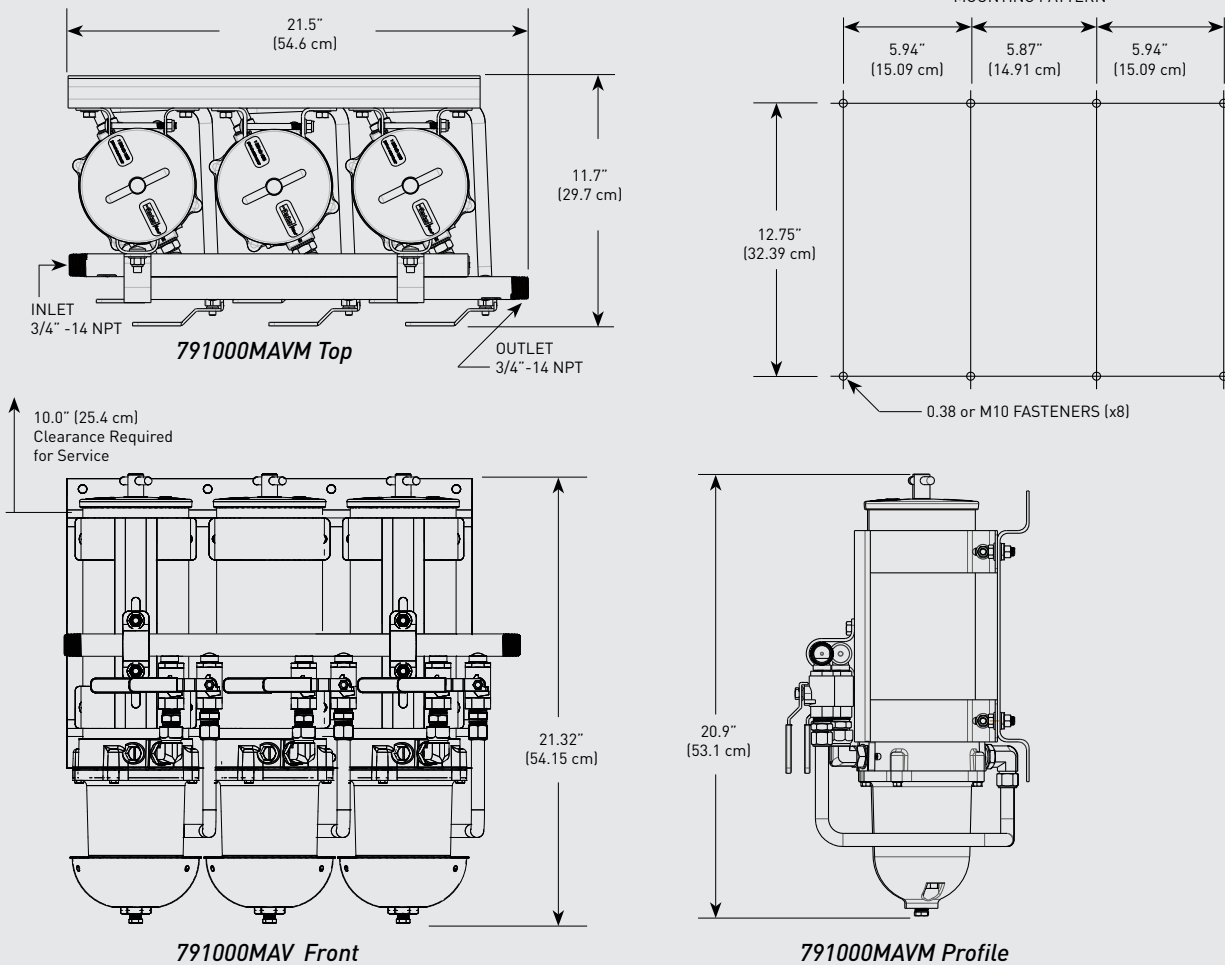
## Create a Part Number

<b>Assembly Type</b>	Triple Assembly - Valves 180/360/540 gph Flow Rate	<b>Filter Model</b>	Turbine Model - Marine 180 gph Flow Rate (X3)	<b>Model Type</b>	Valves	<b>Metal Bowl Option</b>	Metal Bowl	<b>Filtration Rating</b>	2 micron	10 micron	30 micron
	79		1000MA		V		M		2	10	30

# RACOR®

ASSEMBLY	DESCRIPTION
791000MAV2, 791000MAV10, 791000MAV30	Triple Manifold 1000 Turbine Assy., 2, 10, or 30 micron Filter
791000MAVM2, 791000MAVM10, 791000MAVM30	Triple Manifold 1000 Turbine Assy., Metal Bowl, 2, 10, or 30 micron Filter

## Dimensions:



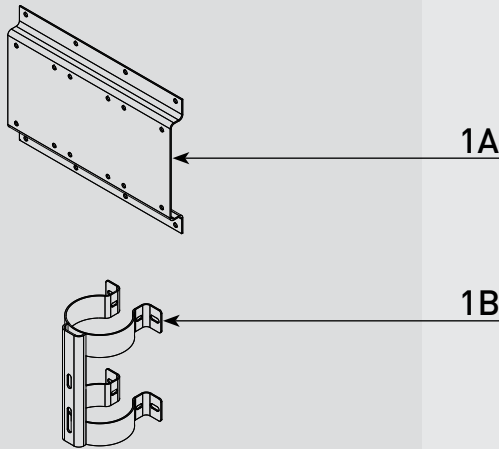
TRIPLE ASSEMBLIES



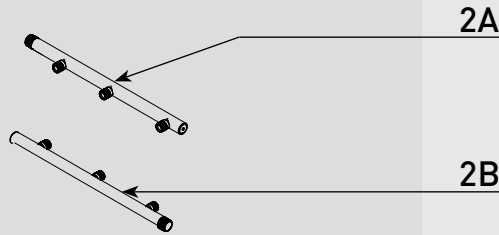
# PARTS

## Turbine Series - 791000MAV-MAVM

1



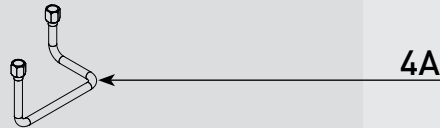
2



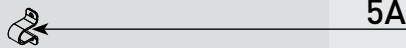
3



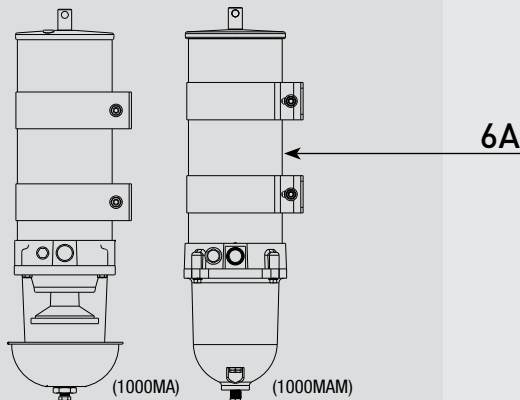
4



5



6



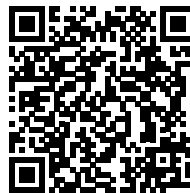
See **RSL0293**  
For 1000MA/MAM Parts Breakdown

Part #	Description
1A	Main Mounting Bracket - <i>Contact Technical Support</i>
1B	Manifold Assembly Bracket - <i>Contact Technical Support</i>
2A	19460 Inlet Manifold Tube (3/4"-14 NPT) - (Tan)
2B	19461 Outlet Manifold Tube (3/4"-14 NPT) - (Tan)
3A	RK 11073 Ball Valve Assembly ( <i>uses 6</i> )
4A	Manifold tube - <i>Contact Technical Support</i>
5A	11-1761 U-bracket ( <i>uses 2</i> )
6A	Turbine Fuel Filter - 1000MA/MAM Series ( <i>Uses 3</i> ) See Cutsheet <b>RSL0293</b> for available Parts and Accessories

### Accessories and Parts Available (*Not Shown*)

7A	RK 11-1404	<b>Complete Seal Service Kit</b> - 1000MA/MAM Series Filters ( <i>Requires 3</i> )
7B	RK 21069 RK23191	WIF Probe - 1/2"-20 UNF - 2-wire (MA) - <b>Requires 7C *</b> WIF Probe - Stainless Steel - 1/2"-20 UNF - 2-wire (MAM) - <b>Requires 7C *</b>
7C	RK 14329 RK 14321	Water Detection Module - 12 vdc Water Detection Module - 24 vdc
8A		Bowl Gasket - <b>Included in 7A</b>
8B	RK 11-1606-1	MA Bowl Kit (Clear) - <b>Includes 8A, 9B &amp; 9F (Gasket &amp; O-ring only)</b>
8C	RK 11734-03	MAM Bowl Kit (Metal) - <b>Includes 8A, 9A, 9D and 10B</b>
9A	RK 20022	Metal Bowl Plug Kit (MAM) ( <b>O-ring Included in 7A</b> )
9B	RK 20126	Plastic Bowl Plug Kit (MA) ( <b>O-ring Included in 7A</b> )
9C	RK 11868	Heat Deflector Kit (MA) - <b>Includes 9F</b>
9D		Drain Plug (MAM) - <i>Contact Technical Support</i>
9E	RK 11-1910	Drain Plug Kit (MA) ( <b>Gasket &amp; O-ring Included in 7A</b> )
10A	RK 11037A-01	Bowl Ring Kit (For MA Only - White) - <b>Includes 8A &amp; 10B</b>
10B	RK 11542	Cap Screw Bowl Ring Fasteners ( <b>set of 4</b> )
11A	2020N-02 2020N-10 2020N-30	1000MA/MAM Replacement Element 2 micron ( <i>uses 3</i> ) 1000MA/MAM Replacement Element 10 micron ( <i>uses 3</i> ) 1000MA/MAM Replacement Element 30 micron ( <i>uses 3</i> )

\* Note: If all 3 units are used simultaneously, one probe or sensor can be used. If units are used as backups, then a probe or sensor should be installed in each bowl. Multiple probes can be wired in parallel to a single detection module.



Online Link  
Turbine Series Selector



Online Link  
Turbine Series  
Replacement Parts Selector